

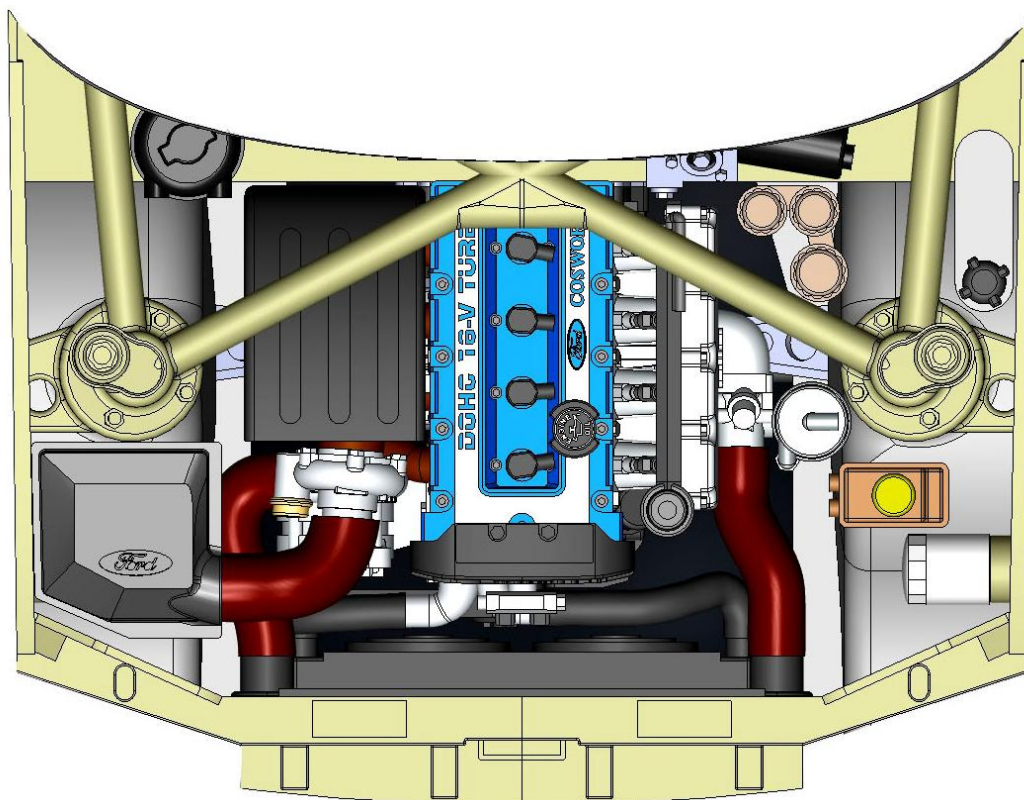
**1/24 Super detail engine bay
kit for Ford Escort RS
Cosworth Tamiya/Domino**

24T035

USCP



ukrainian scale cars production



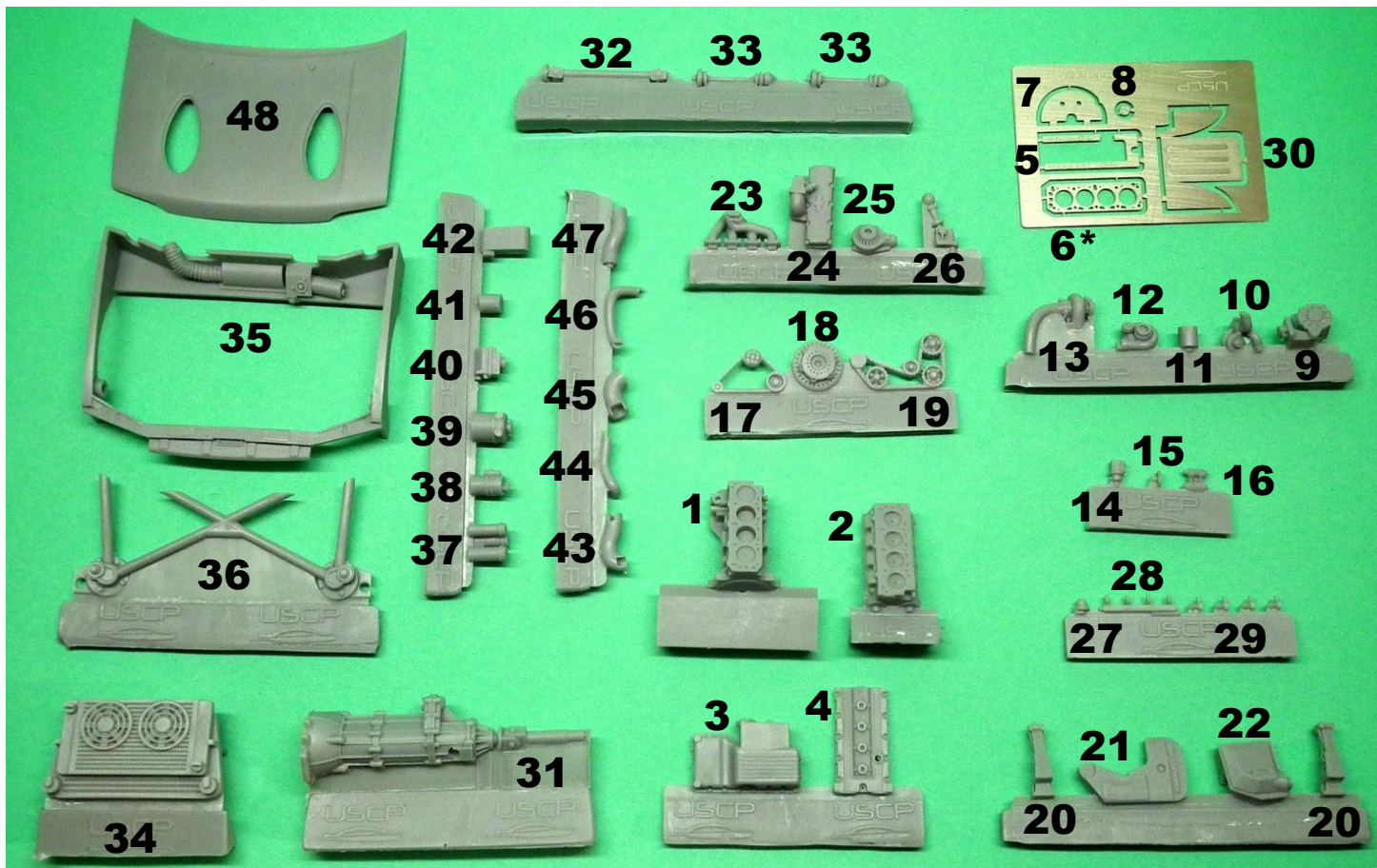
***Cosworth YB Engine
+ Ford Escort RS Rally Engine Bay***

ASSEMBLY INSTRUCTION

2019

Made in Ukraine

Parts:



***PE part #6 not used in assembling**

Colors:

A – semi gloss black

B – aluminum

C – steel

D – flat black

E – metallic blue

F – exhaust color

G – gold

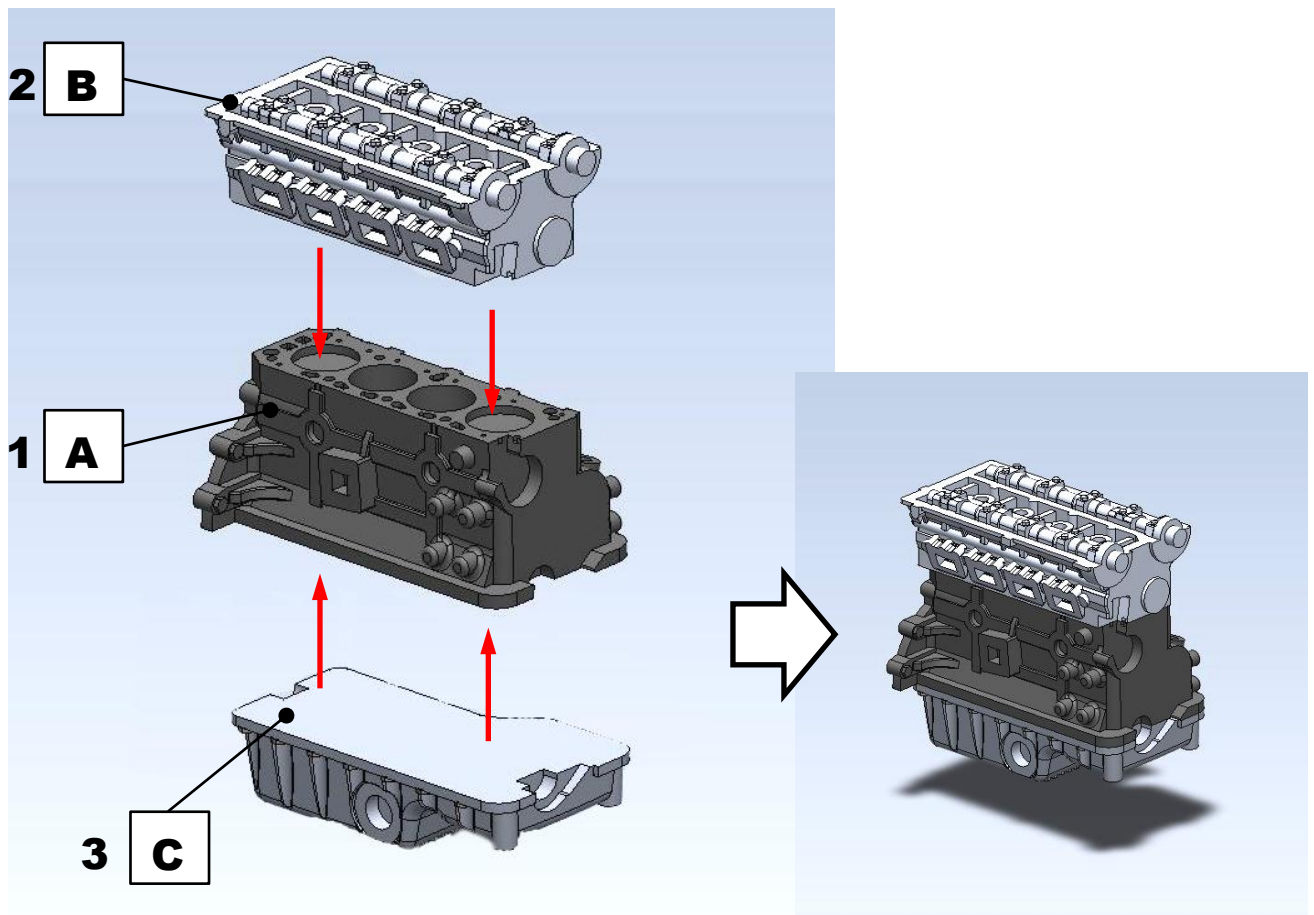
H – white

I – body color

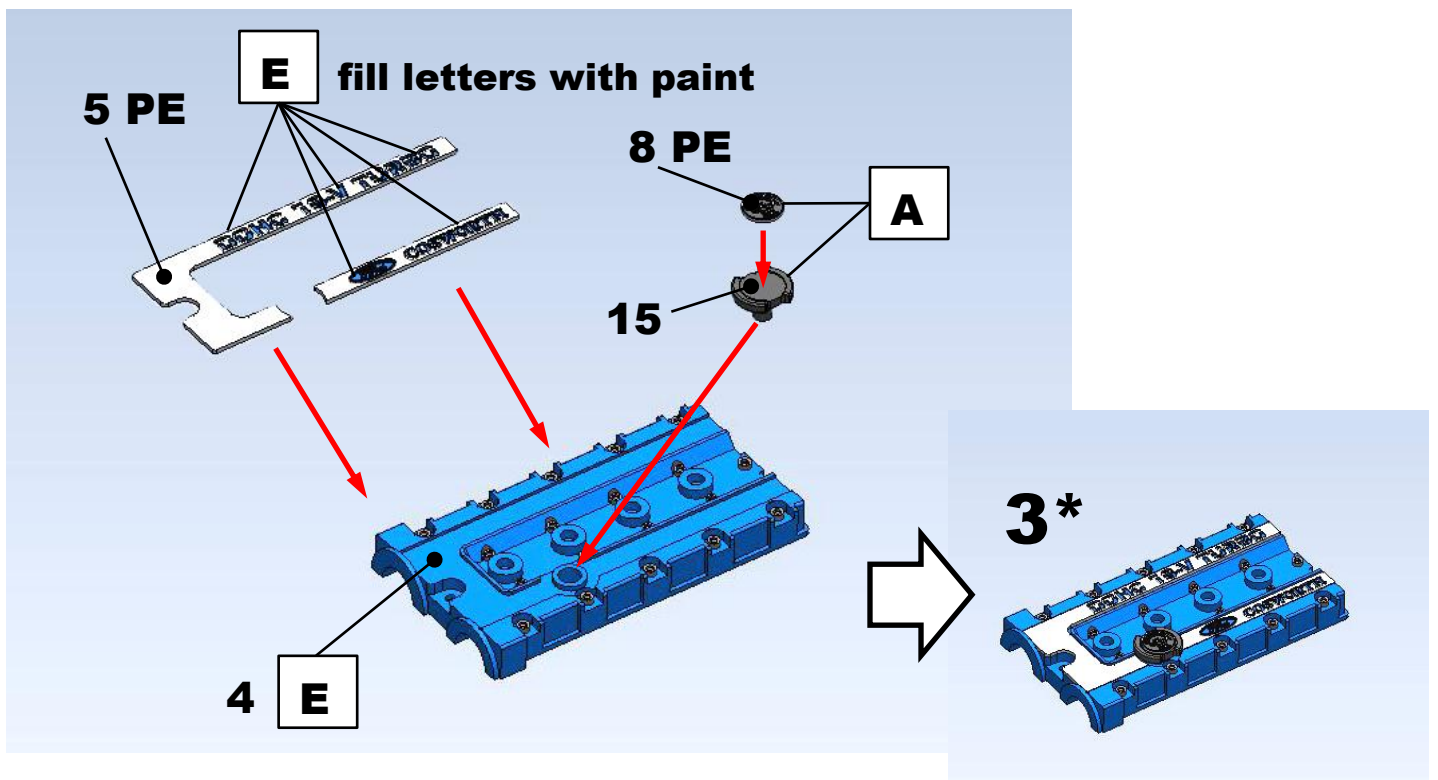
J – orange-red

K – moon white

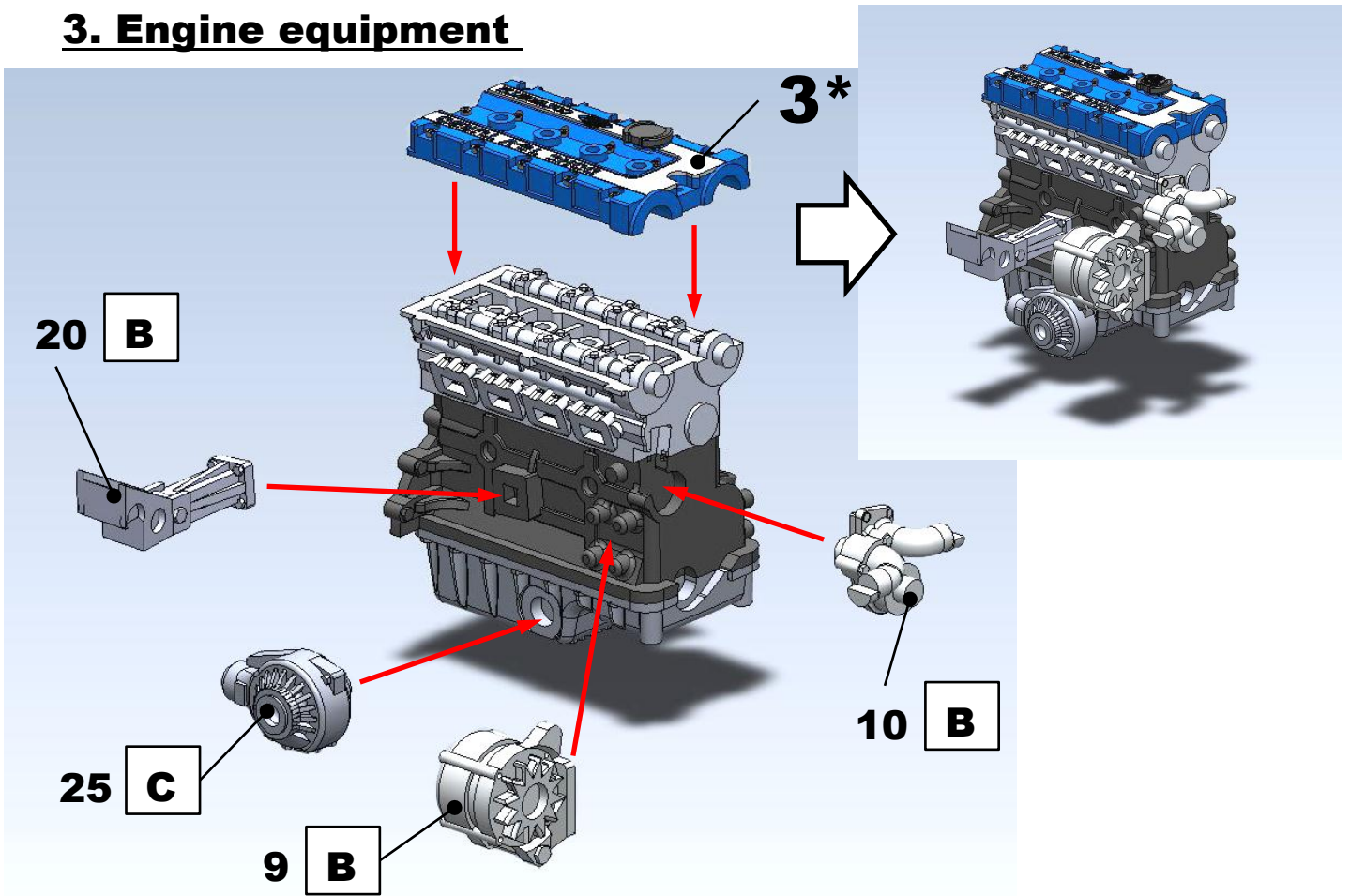
1. Engine block, head, oil pan



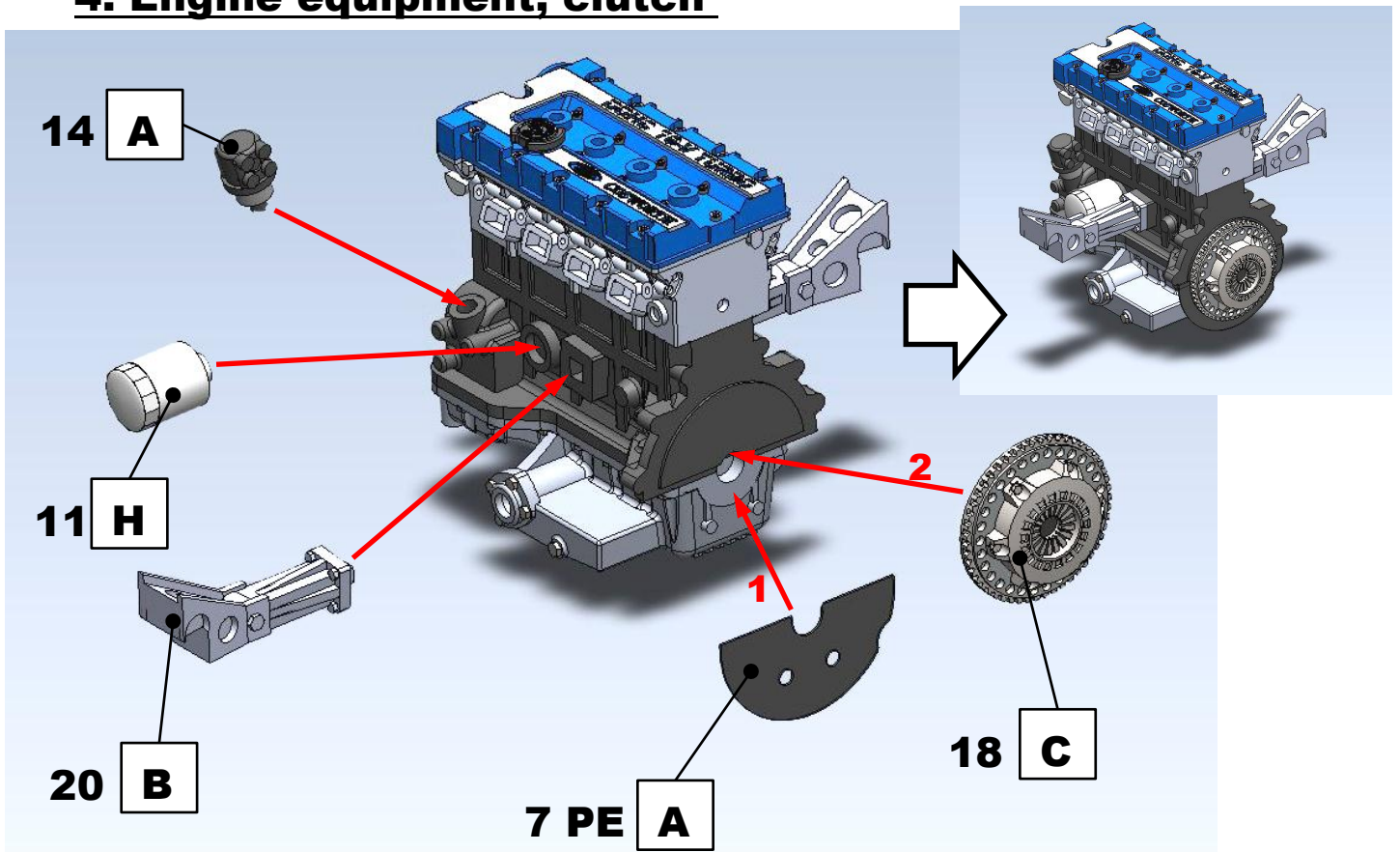
2. Valve cover



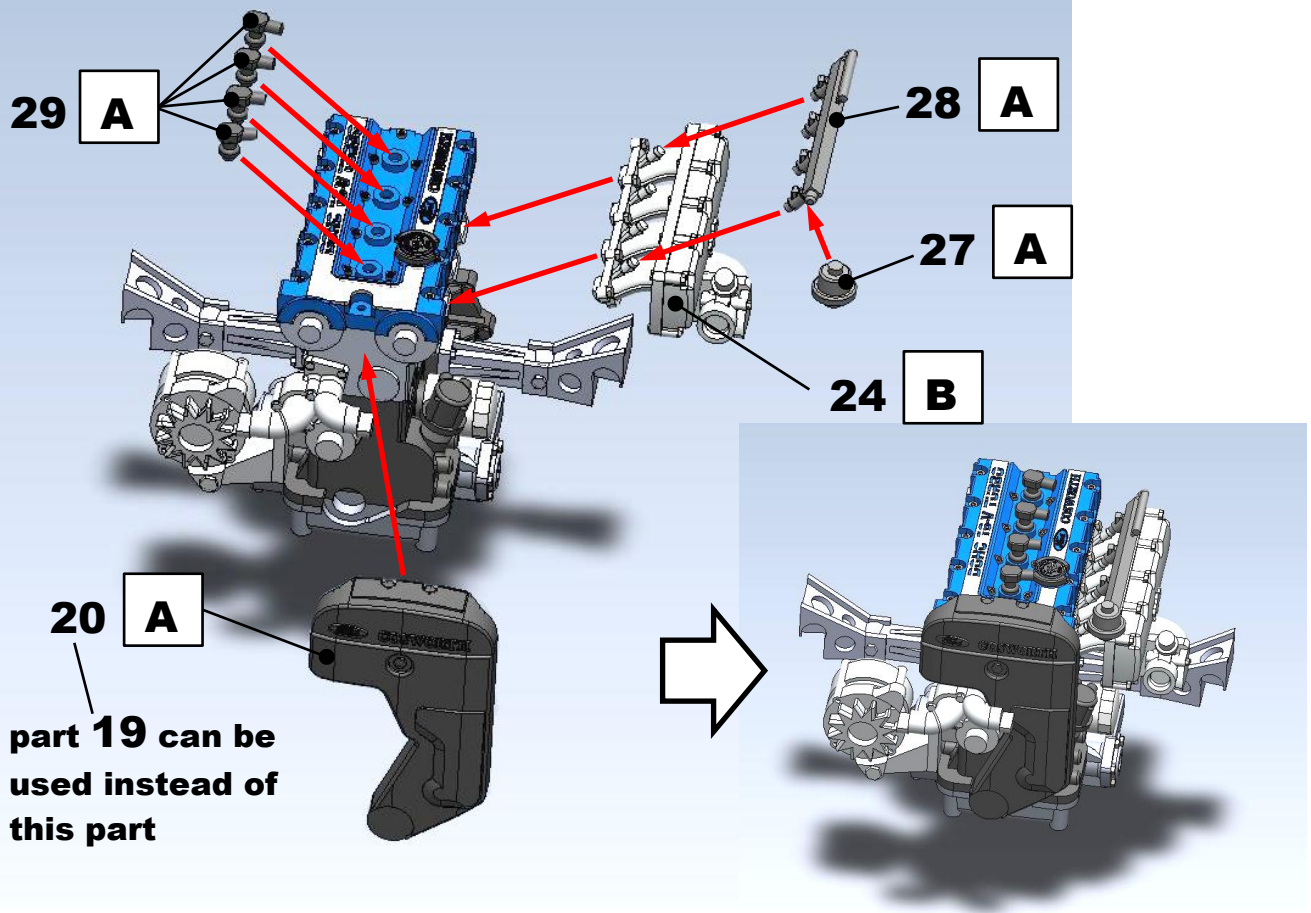
3. Engine equipment



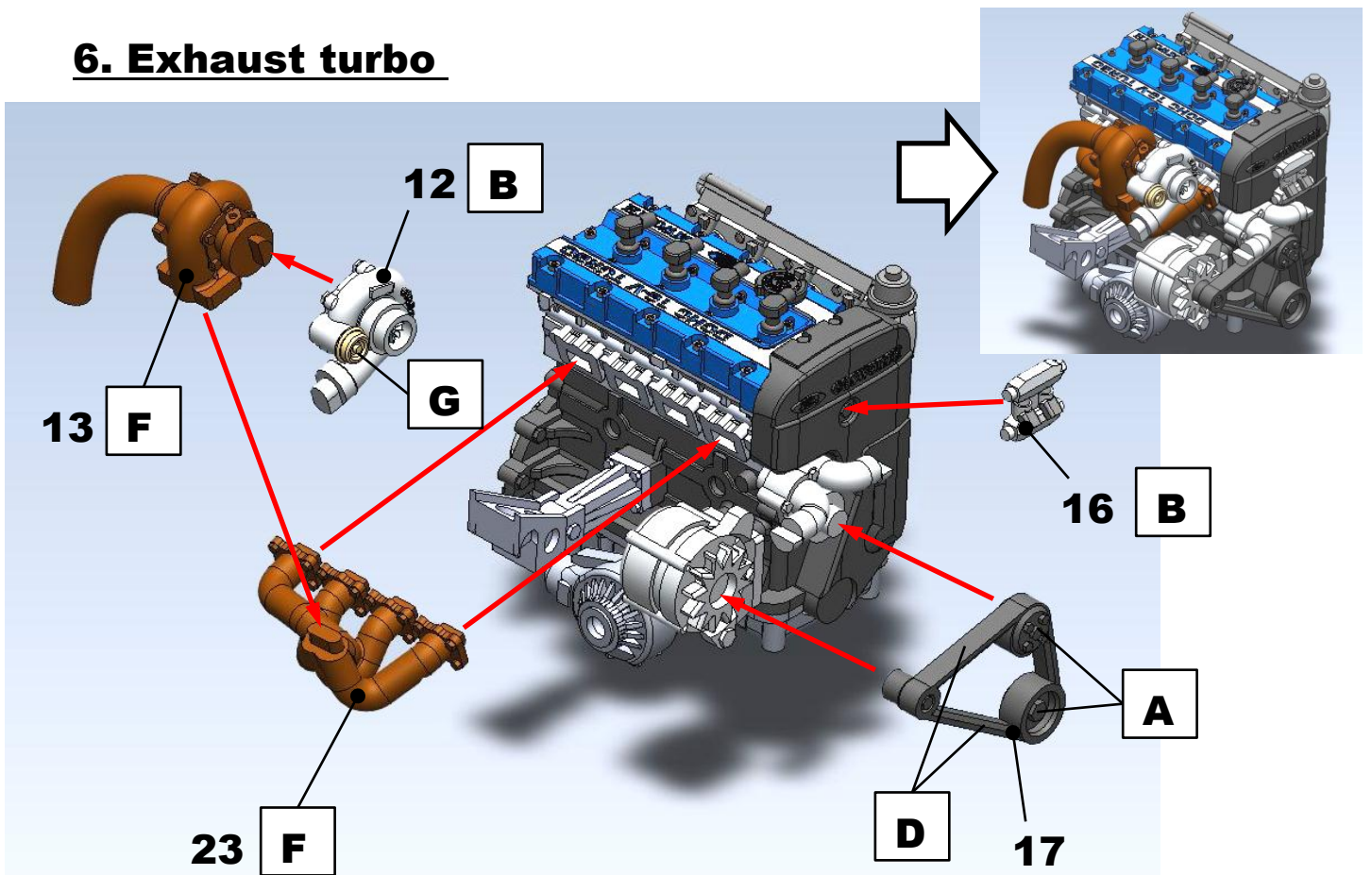
4. Engine equipment, clutch



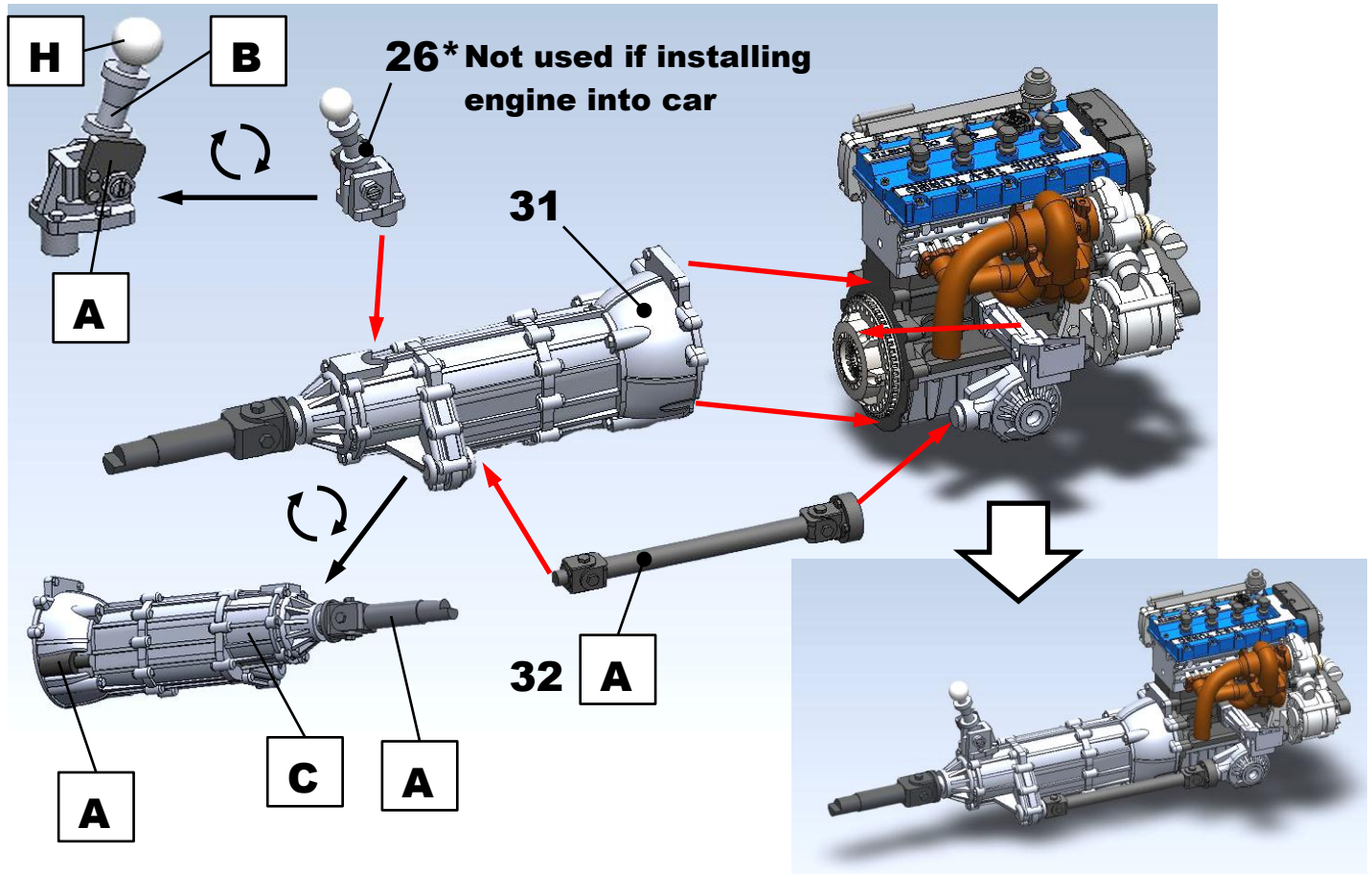
5. Intake, front cover



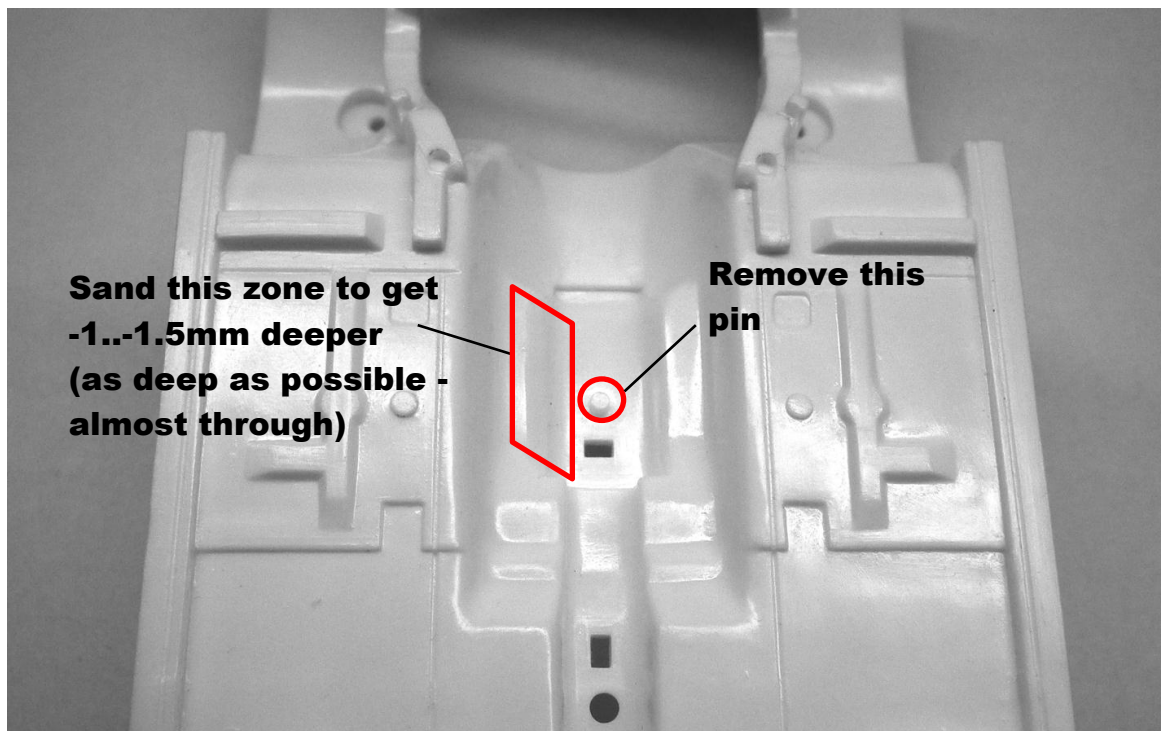
6. Exhaust turbo



7. Gearbox

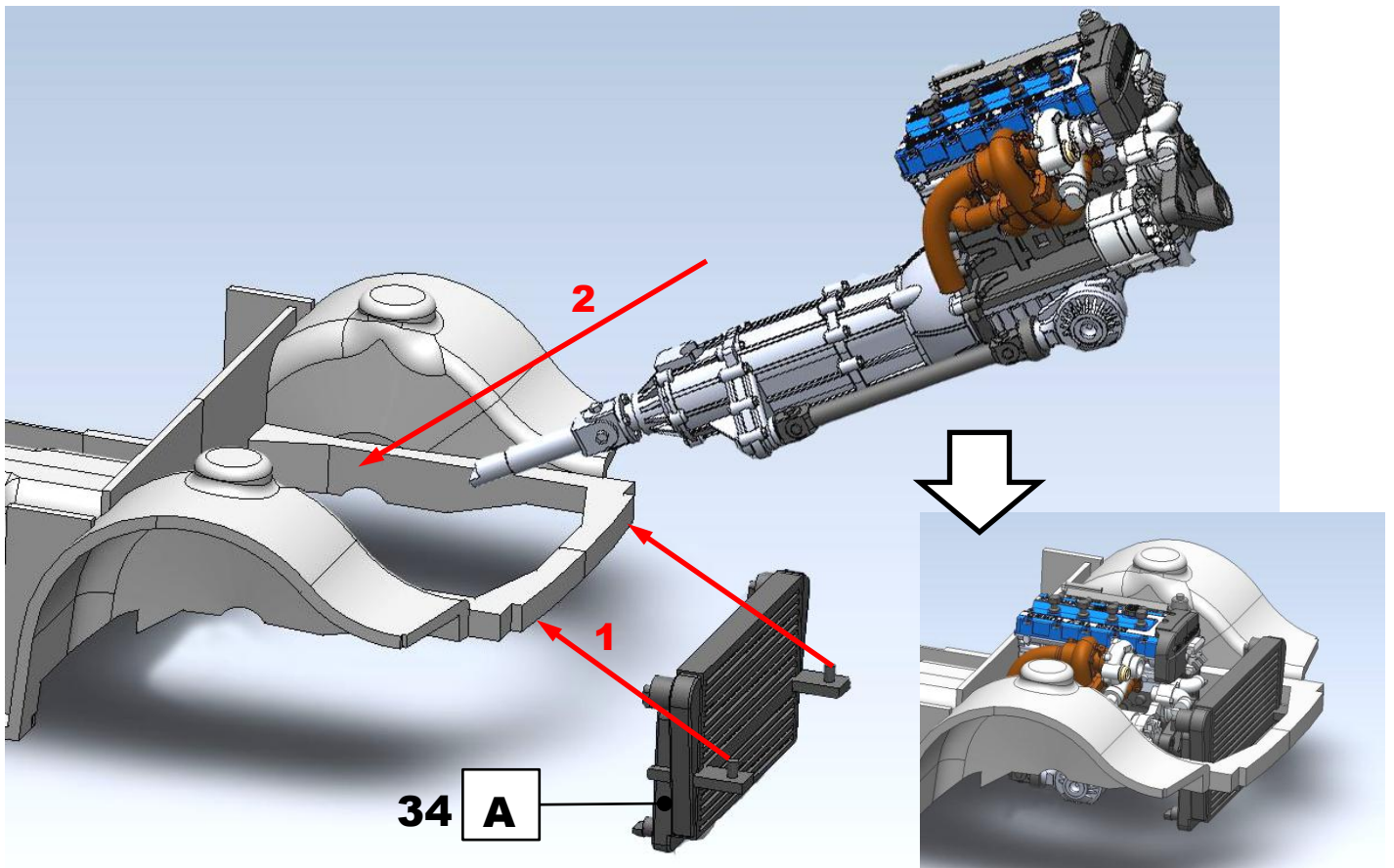


8. Kit chassis preparing



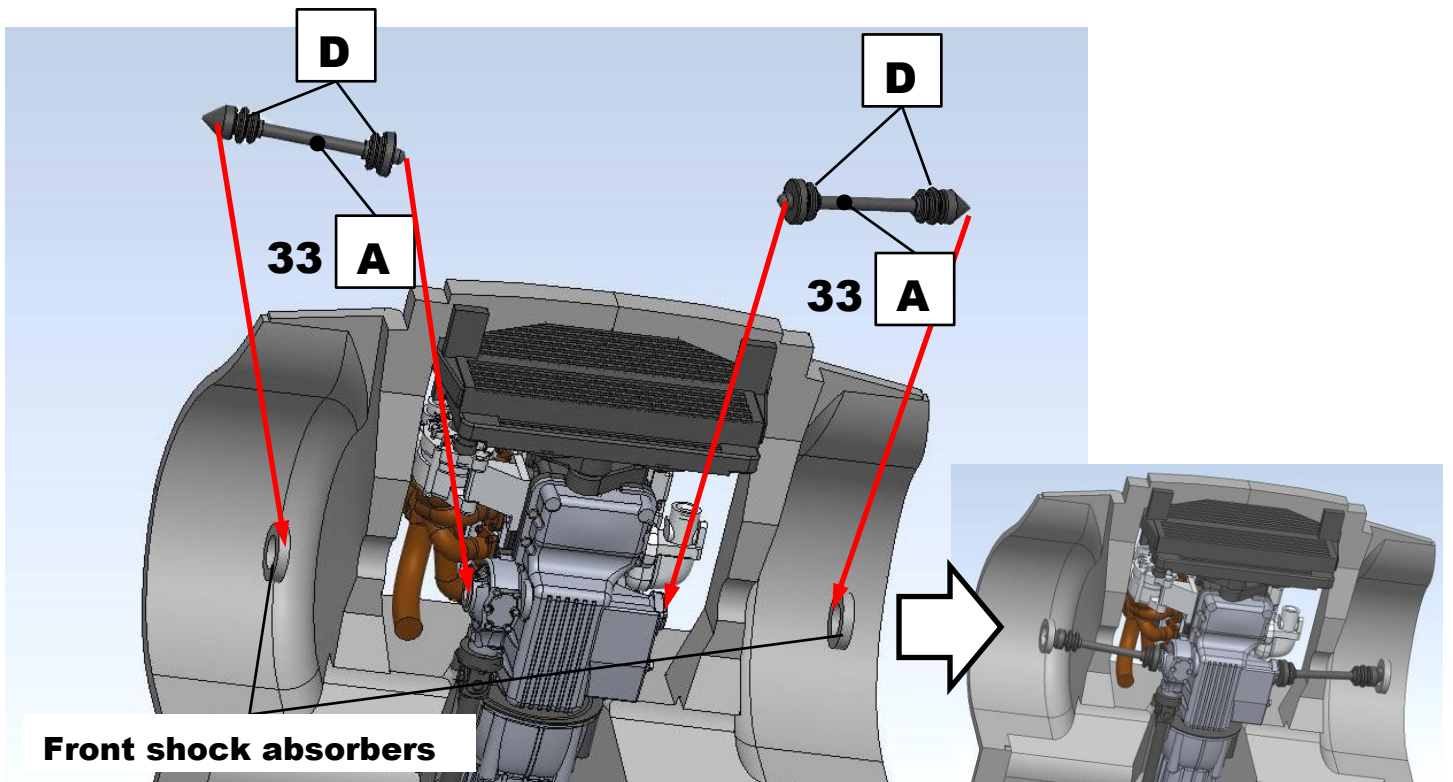
After that install rear suspension parts

9. Engine installation

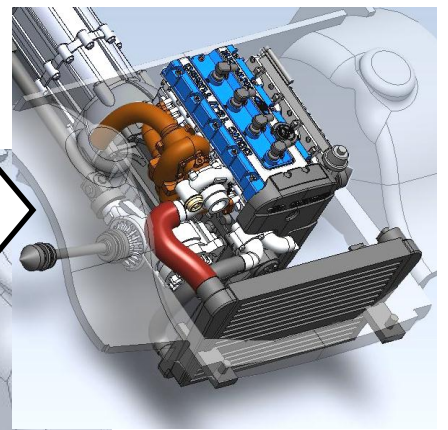
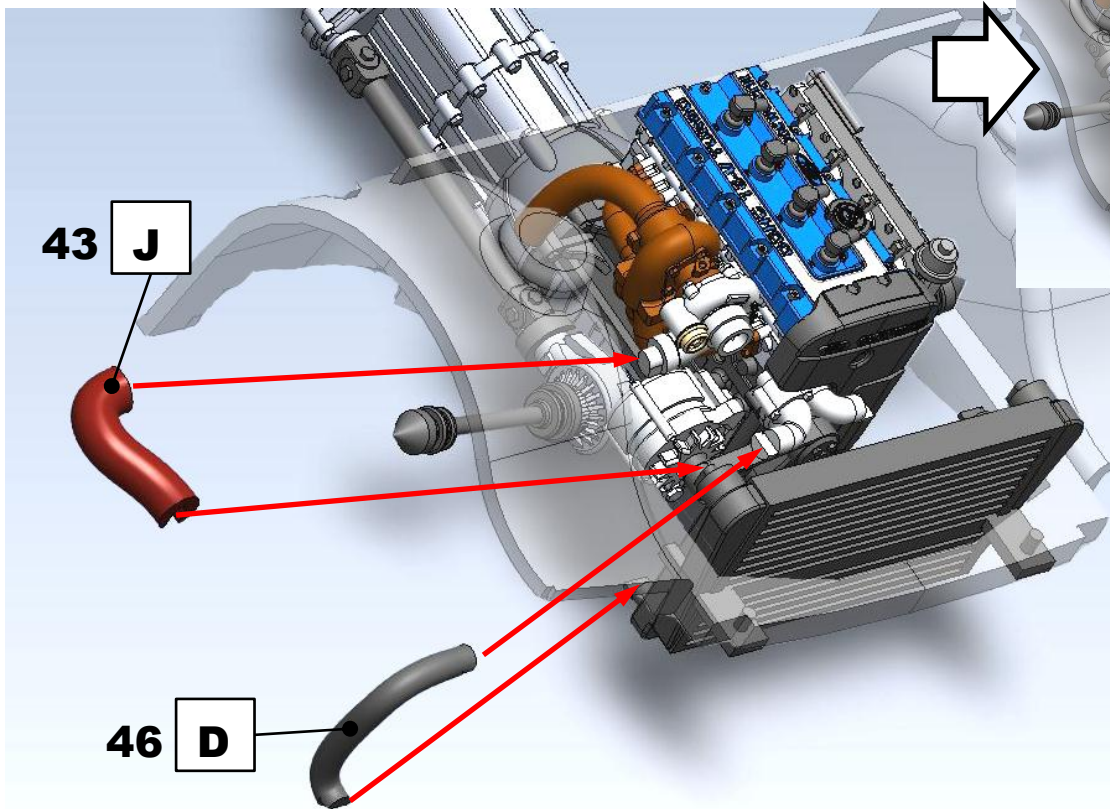


10. Front suspension

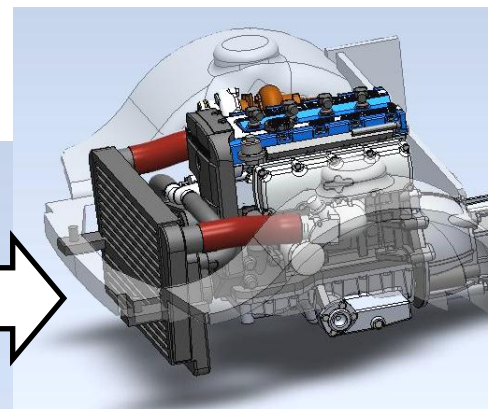
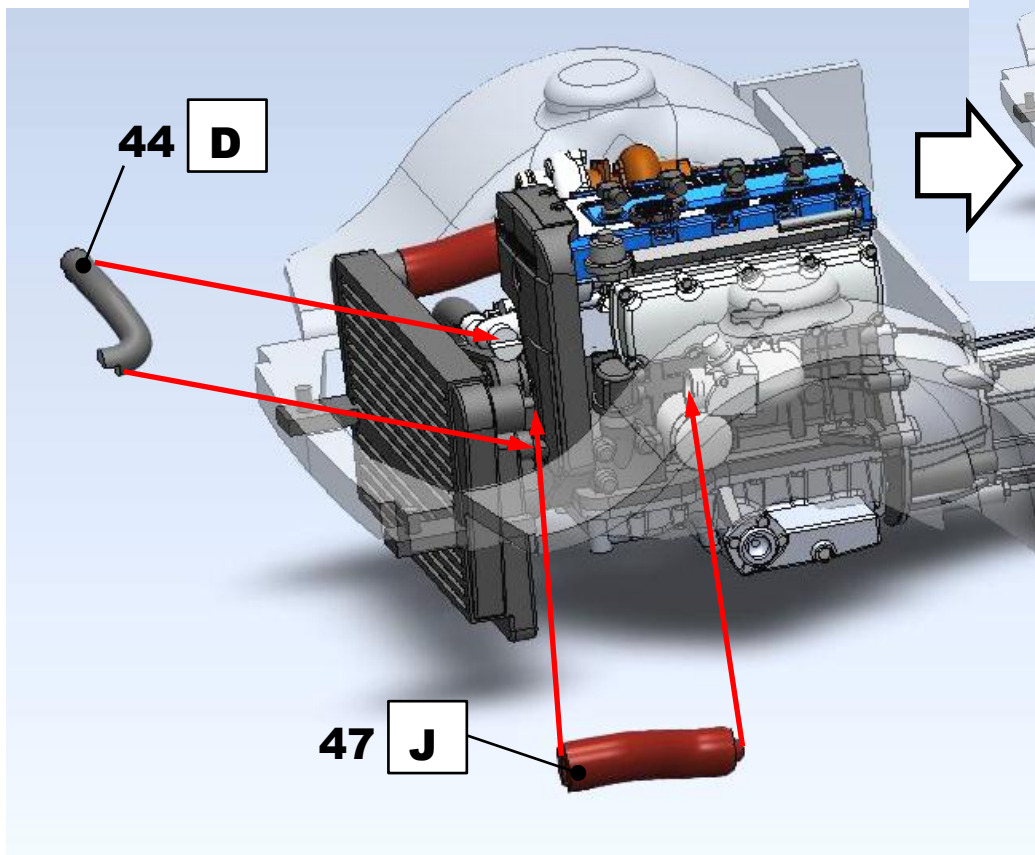
First install front suspension parts



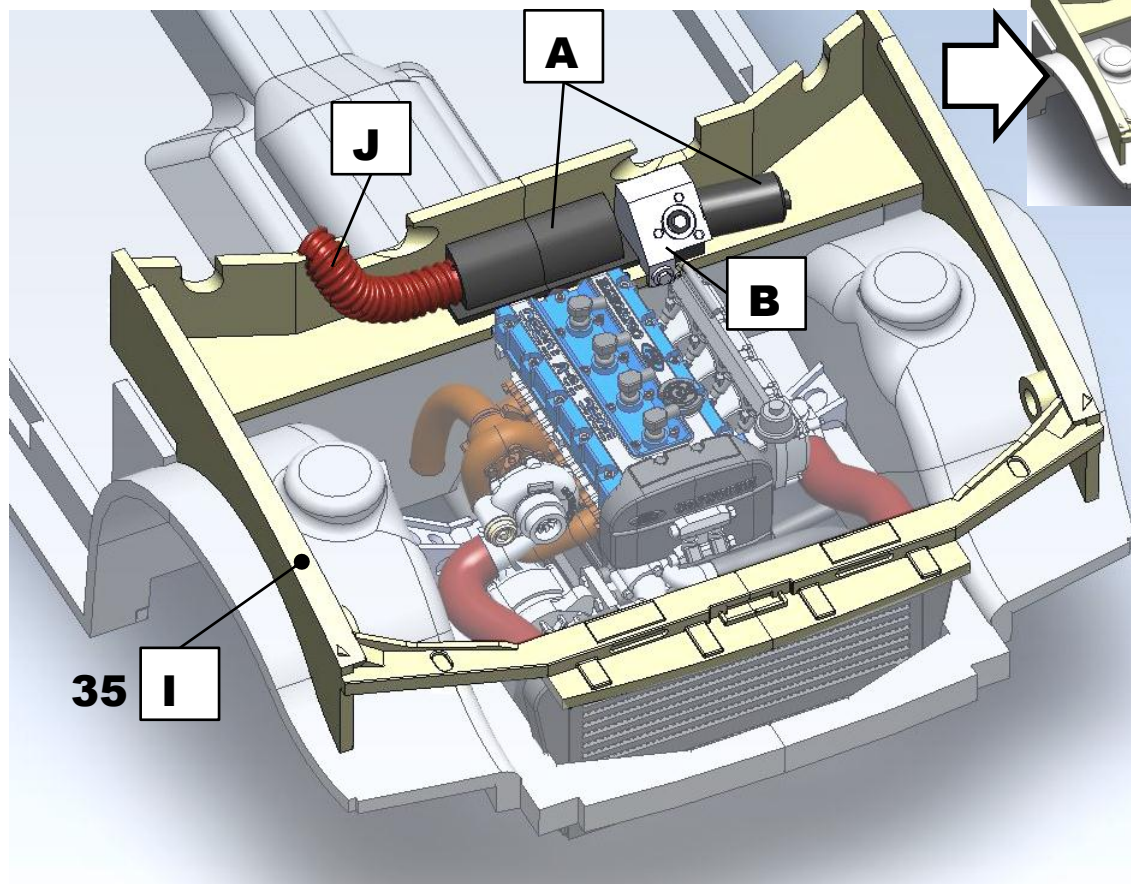
11. Coolant and air pipes



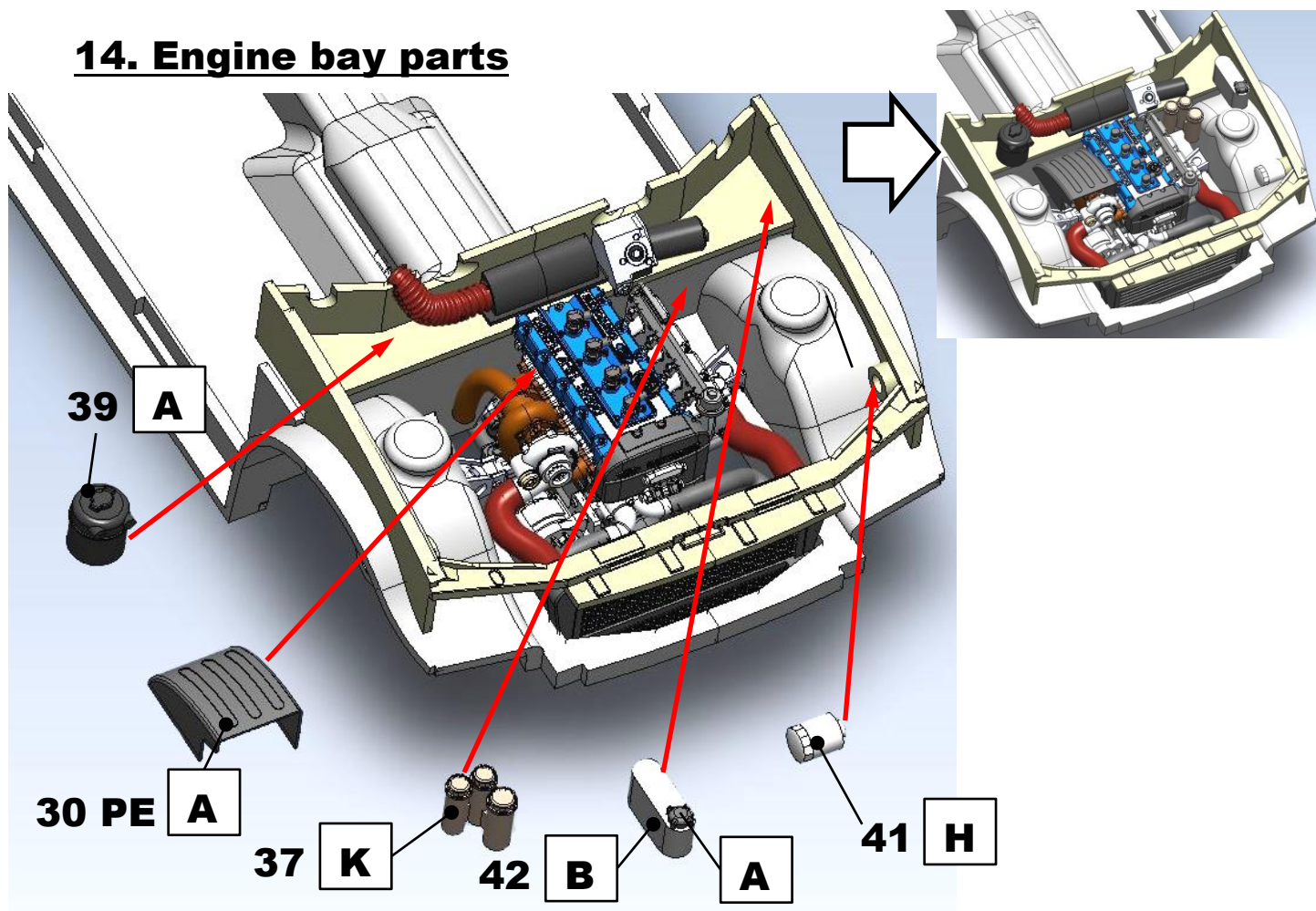
12. Coolant and air pipes



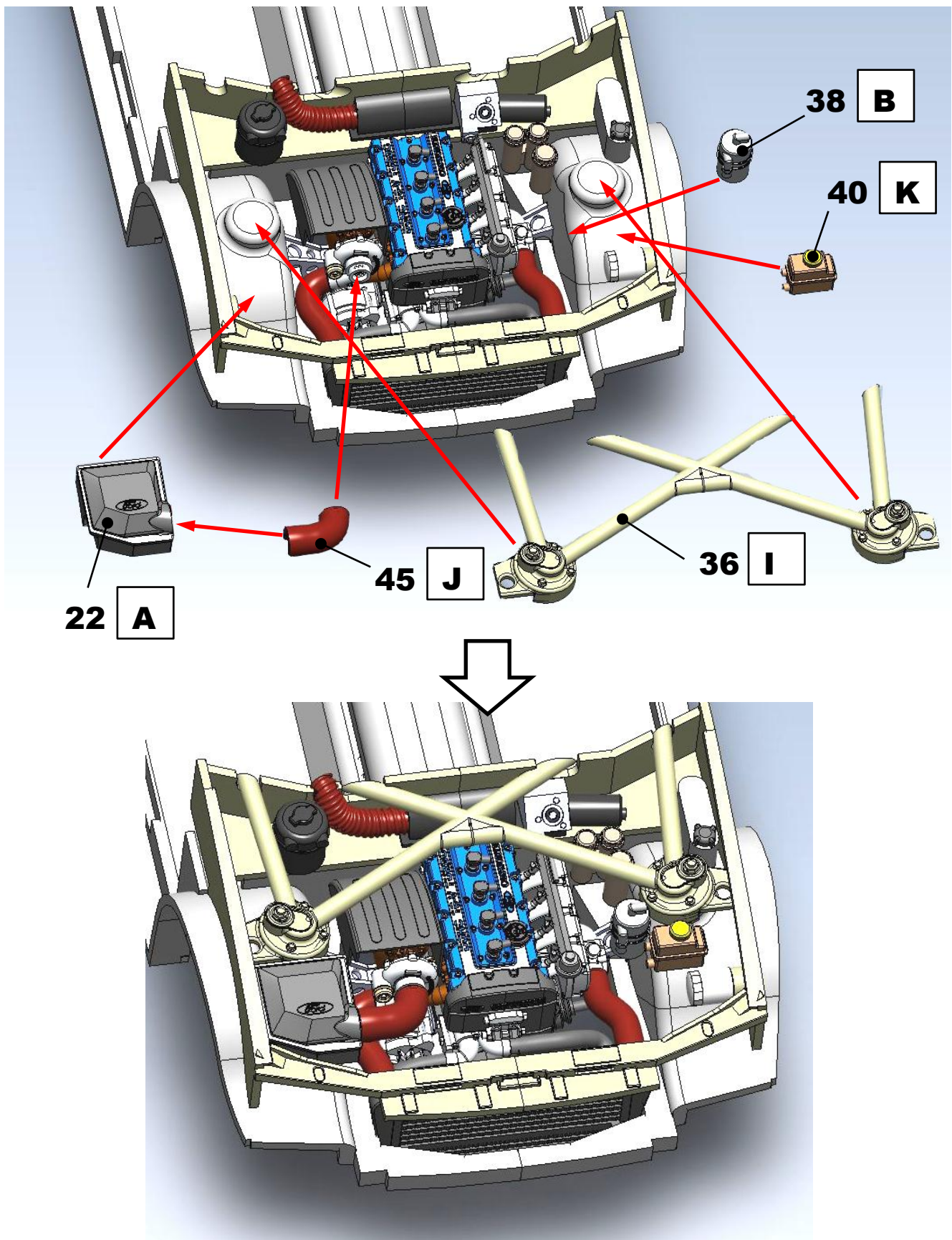
13. Engine bay part installation



14. Engine bay parts



15. Engine bay parts



Bonnet #48 must be used in place of bonnet from kit